

# OW1 & 2

## Overwater CPT rams

Lankelma's overwater CPT rams are compact, robust and powerful units, ideal for marine CPT.

- **Cone penetration testing**
- **Sampling**
- **Instrumentation**
- **20 tonne thrust capacity**

### **Self contained**

They are fully self contained, being supplied with a dedicated hydraulic power pack, generator and logging system. They can also be plumbed into the vessel's hydraulic system and utilise its electric supply.

### **Flexible anchorage**

Ideally, system and testing is to be performed from static plant. However, the anchorage to the vessel is flexible, being either beam mounted or bolted directly to the vessel deck.

Beam mounted systems can be integrated into drilling masts in order to perform CPTs within boreholes to provide a contiguous exploratory soils profile. The integrated beam mounted system allows for fast effective marine operations between setting riser casings, drill-outs and CPT operations.

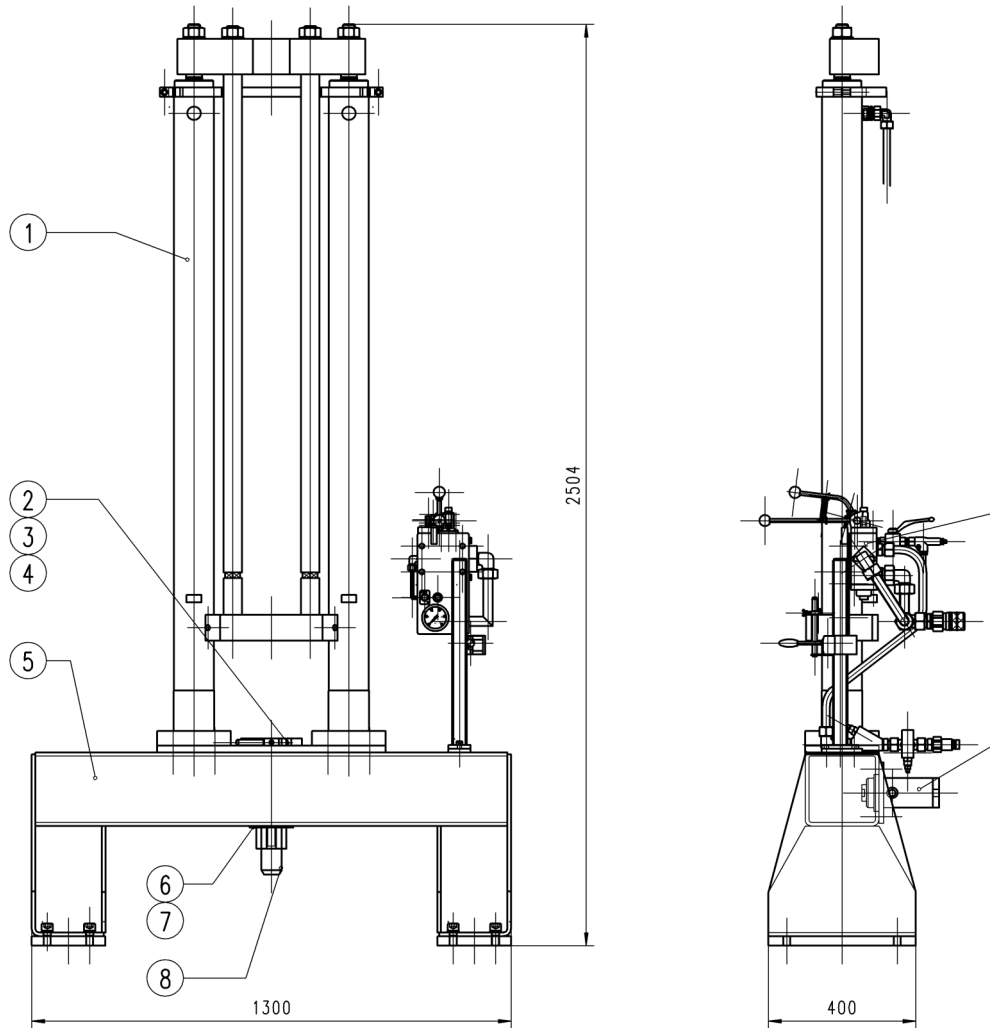
### **30 tonne CPT rods**

The units are used in conjunction with Lankelma 30 tonne capacity CPT rods, together with a wide range of cones.



# OW1 & OW2

## Overwater CPT rams



### UK enquiries:

Cold Harbour Barn, Cold Harbour Road, Iden, East Sussex, TN31 7UT, U.K.  
T: +44 (0)1797 280050 E: info@lankelma.com