

# SANDPIPER JACK-UP PLATFORM

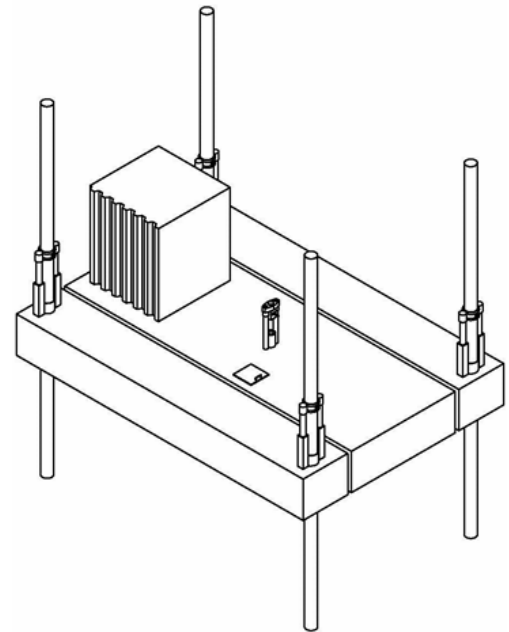


- 24 hour operation available
- Jack up to 15m, dependent on soil conditions
- Hydraulic deck-mounted crane
- Dando 9000 and 4000 cable percussion and rotary drill rigs
- Combifloat jacking power pack
- Top push CPT rams complete with self-contained power pack
- Whisperwatt 3-phase 25kVa Generator
- Welfare unit - air con., Garmin navigation system and VHF radio
- Workshop container
- Optional Wison-APB wireline deployable CPT system



## TECHNICAL DETAILS

TYPE	COMBIFLOAT C-5
OVERALL LENGTH	18.30 m
BREATH	12.20 m
LEG LENGTH	27.30 m
DEPTH BELOW HULL BOTTOM	22.20 m
AIR GAP (WHEN ELEVATED)	1.87 m
AREA / DIAMETER OF SPUD	30 inches
OPERATION DISPLACEMENT	215.28 T
WATER DEPTH INCLUDING TIDE PENETRATION IN SEABED	12.0 m
TYPE OF JACKING SYSTEM	7.0 m
NUMBER OF JACKS PER LEG	ELEVATING SPUDWELL Φ 30 inches
MAXIMUM CAPACITY PER LEG	1 MANIFOLD C-5 OPERATING 2 JACKS PER SPUDWELL
LANKELMA MEMBERSHIPS	WEIGHT OF 17.4 m LONG BOTTOM PAT: 10 T WEIGHT OF 10.0 m LONG TOP PART: 6 T
	INTERNATIONAL JACK-UP BARGE OWNERS ASSOCIATION



[www.lankelma.com](http://www.lankelma.com)

Tel: +44 (0)1797 280050

Fax: +44 (0)1797 280195

Email: [info@lankelma.com](mailto:info@lankelma.com)

Lankelma Limited, Cold Harbour Barn, Cold Harbour Lane, Iden, East Sussex. TN31 7UT